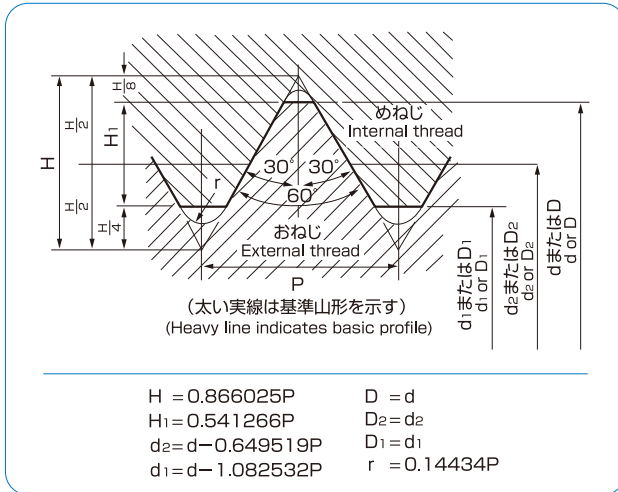


### ねじの種類と基準山形 Types and Standard Shapes of Screw Threads

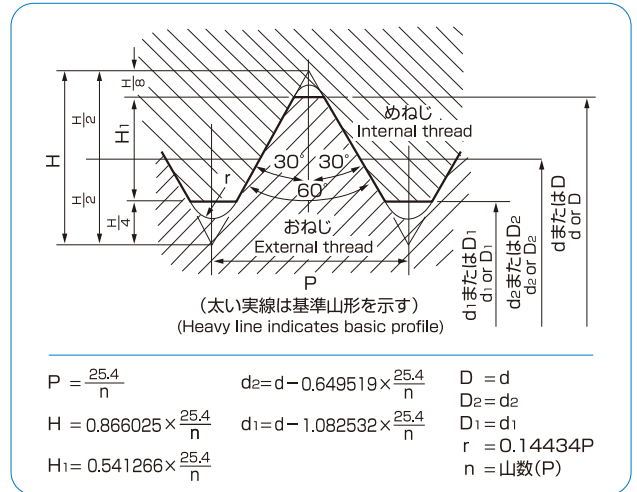
#### 1 メートルねじ (M)

Metric Screw Thread (M)



#### 2 ユニファイねじ (U)

Unified Screw Thread (U)

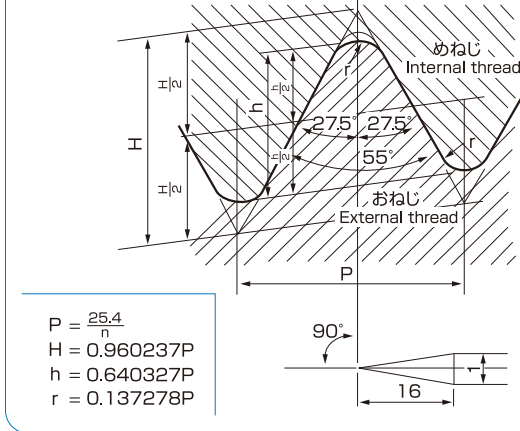


#### 3 管用ねじ

Pipe Screw Thread

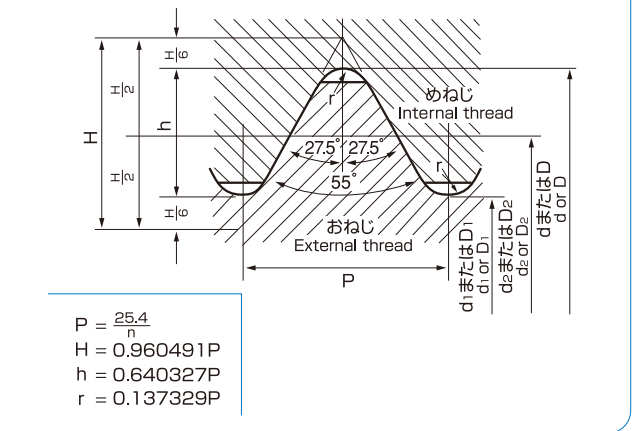
##### ③-1 テーパーねじ (PT) R

Taper Thread (PT) R



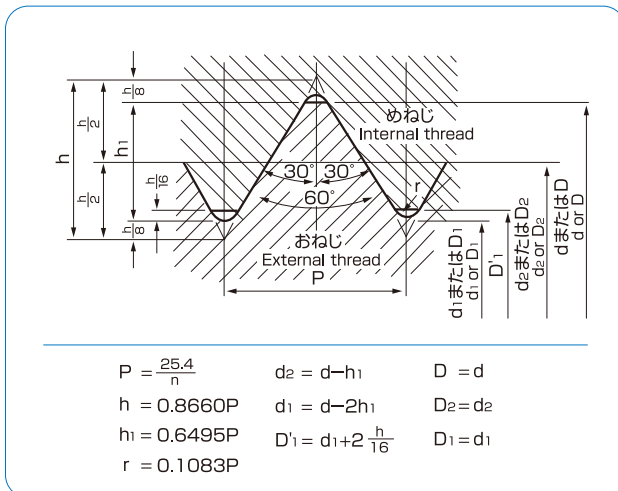
##### ③-2 平行ねじ (PF) G

Parallel Thread (PF) G



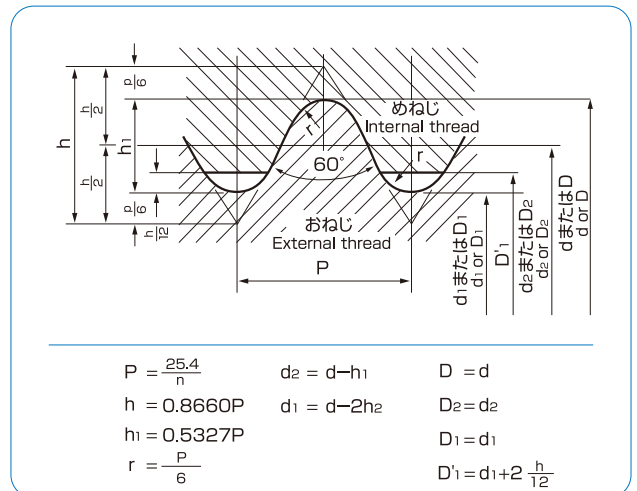
#### 4 ミシンねじ (SM)

Sewing Machine Screw Thread (SM)



#### 5 自転車ねじ (BC)

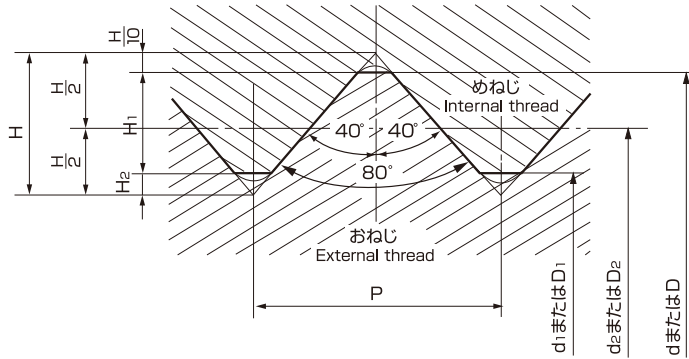
Cycle Thread (BC)



### ねじの種類と基準山形 Types and Standard Shapes of Screw Threads

#### 6 薄鋼電線管ねじ (C)

Conduit Tube Thread (C)



$$P = \frac{25.4}{n}$$

$$H = 0.59588P$$

$$H_1 = 0.43851P$$

$$H_2 = 0.09778P$$

$$d_2 = d - 0.47670P$$

$$d_1 = d - 0.87703P$$

$$D = d$$

$$D_2 = d_2$$

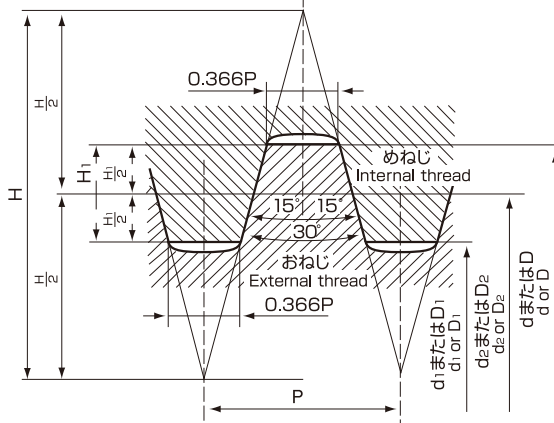
$$D_1 = d_1$$

#### 7 台形ねじ

Trapezoidal Screw Thread

##### 7-1 メートル台形ねじ (Tr)

Metric Trapezoidal Screw Thread (Tr)



$$H = 1.866P$$

$$H_1 = 0.5P$$

$$d_2 = d - 0.5P$$

$$d_1 = d - P$$

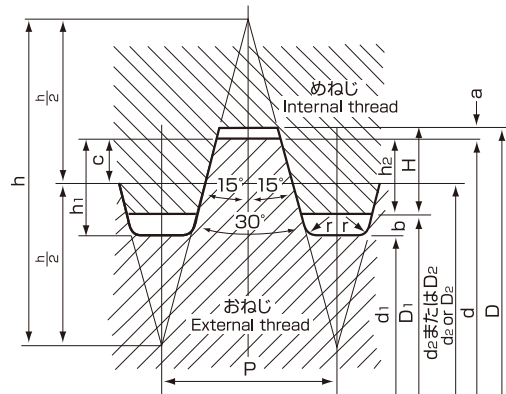
$$D = d$$

$$D_2 = d_2$$

$$D_1 = d_1$$

##### 7-2 30°台形 (TM)

30-degree Trapezoidal Screw Thread (TM)



$$h = 1.866P$$

$$C = 0.25P$$

$$h_1 = 2c + a$$

$$h_2 = 2c + a - b$$

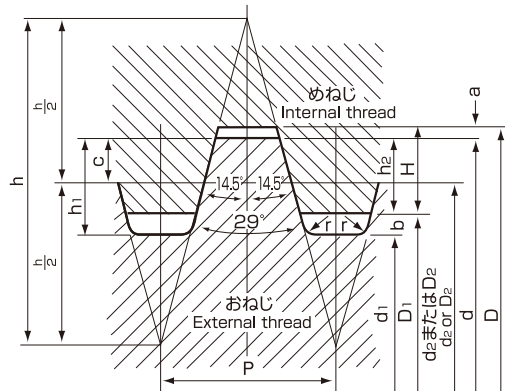
$$D = d + 2a$$

$$D_2 = d_2$$

$$D_1 = d_1 + 2b$$

##### 7-3 29°台形 (TW)

29-degree Trapezoidal Screw Thread (TW)



$$P = \frac{25.4}{n}$$

$$h = 1.9335P$$

$$C = 0.25P$$

$$h_1 = 2c + a$$

$$h_2 = 2c + a - b$$

$$H = 2c + 2a - b$$

$$d_2 = d - 2c$$

$$d_1 = d - 2h_1$$

$$D = d + 2a$$

$$D_2 = d_2$$

$$D_1 = d_1 + 2b$$